

ZIERICK

ENGINEERED INTERCONNECTION SOLUTIONS

131 Radio Circle, Mt. Kisco, NY 10549 USA
 800-882-8020 • 914-666-2911 • Fax: 914-666-0216
 www.zierick.com • contactus@zierick.com

Zierick offers solutions for interconnect applications. Specialists in Wire-to-Board and Board-to-Board applications.

Providing Surface Mount and Thru-Hole product while further reducing costs through our line of insertion, presentation and wire termination machines and equipment.

Our US-based experts can also offer custom stamping solutions while all facets of production are done in our ISO Certified New York facility.



SURFACE MOUNT HORIZONTAL INSULATION DISPLACEMENT TERMINAL PART NUMBERS 1306-W18 / 1306-W18-T

Zierick Manufacturing Corporation has developed an addition to our Insulation Displacement Terminal offerings. The patented 1306-W18 is the first of a series of parts developed for connecting discrete wires to printed circuit boards. The new 1306-W18 is specifically designed to terminate 18 gauge wires but plans exist to offer the part to cover the range for 16-24 gauge wires. The terminal allows for redundant wire connection for increased reliability and is available in EIA Standard Tape and Reel packaging for automated placement during the surface mount manufacturing process.

The terminal allows the wires to be terminated without any additional wire preparation (the insulation does not need to be removed) and the termination process allows for removal or replacement of the wire

with the use of a simple hand tool. Additionally the terminal's "Horizontal wire termination" produces a minimal amount of vertical pressure being placed on the PCB. Supporting of the PCB is not as important for this wire termination as it is for the vertical wire terminations; this feature allows its use on 'sensitive' substrate materials like glass or ceramic that can be damaged by elevated vertical forces. The wire termination process makes this part ideal for field termination applications or reworks.

The terminal is a perfect fit for applications such as Solid-State Lighting, Sensors, Automotive Modules as well as any application that needs an economical, discrete wire to board connection.



SPECIFICATIONS

Loose Part Number	1306-W18
Taped Part Number	1306-W18-T (16mm Tape per EIA-481)
Wire Sizes	18 AWG (Solid or Stranded)
Insulation Outside Diameter	0.113 in. (2.87mm) Maximum
Material Thickness / Type	.016in (0.406mm) Phos Bronze CDA 510
Standard Finish	100% Matte Tin over Copper (0)
Current Rating	15 Amperes
Feeder System	Standard 16mm Tape Feeder for 1306-W18-T
Wire Termination Tools	WIT-1306 (for low volume and/or field terminations)
Patent Number	US Patent No. 9,255,079 B2

FEATURES & BENEFITS

- An efficient way to terminate wire to board;
- No additional strain relief required;
- No additional wire preparation required;
- Available in taped format – no need for additional assembly equipment;
- Additional wire gauges available. Consult Factory for details;
- Can be terminated in the field with use of simple hand tool.



More Information Online



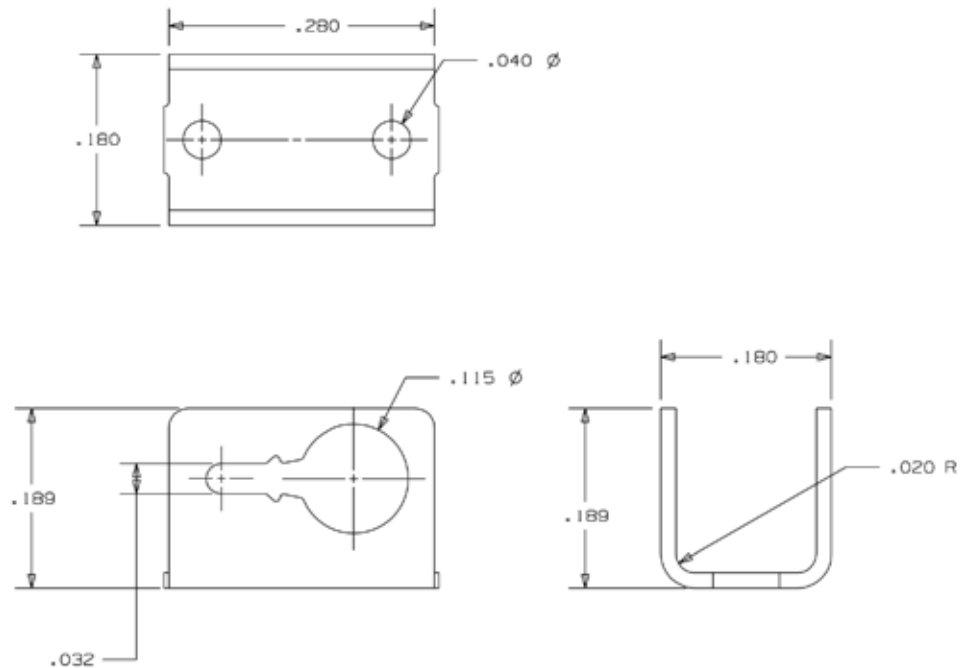
View of part before wire termination



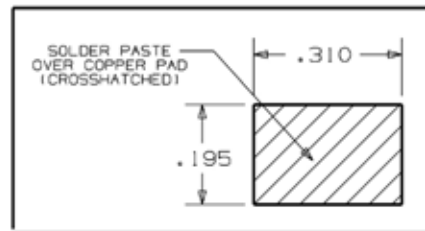
View of part after wire termination

SURFACE MOUNT HORIZONTAL INSULATION DISPLACEMENT TERMINAL PART NUMBERS 1306-W18 / 1306-W18-T

APPLICATION DRAWING



RECOMMENDED SOLDER PAD GEOMETRY



Zierick recommends 0.006" (0.15mm) stencil thickness for most applications. For other stencil thicknesses, call Zierick's product development department.

Consult the factory for center-to-center spacing between adjacent terminals.